

PRORIL

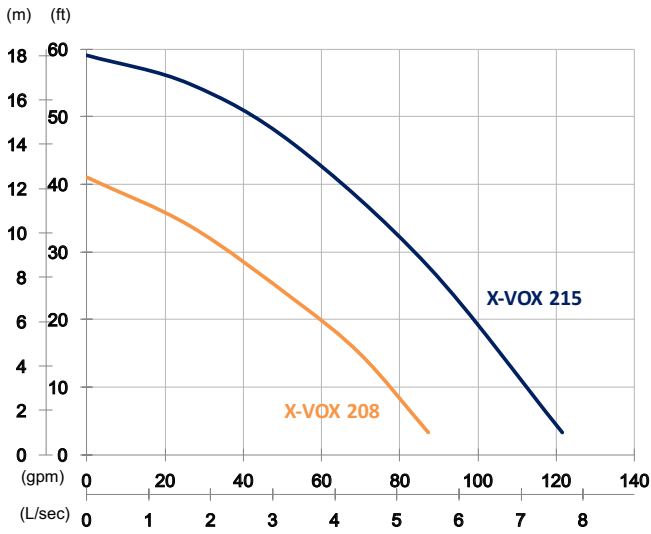
60Hz

X-VOX Series, all components in contact with liquid of the stainless steel vortex pumps are made of 304 stainless steel. These pumps are designed for handling clean water or screened wastewater. With the use of the food-graded lubricant, they are also applicable to the aquaculture industry.

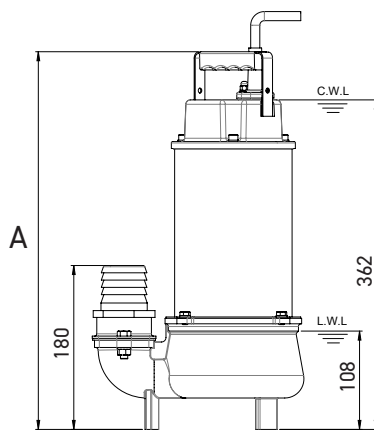
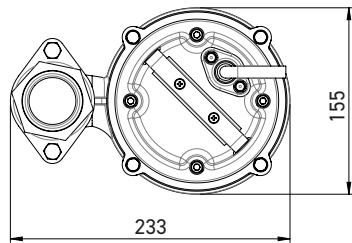
Stainless Steel Pump **X-VOX 208/215**

Sewage Vortex Pump





	X-VOX 208	X-VOX 215
OUTPUT	1 HP (0.75 kW)	2 HP (1.5 kW)
OUTLET	2" (50 mm)	2" (50 mm)
SOLID PASSAGE	1.6" (40 mm)	1.5" (37 mm)
Weight	26 lbs/12 kg	33 lbs/15 kg
HEAD	Rated: 23 ft, 7 m Max: 41 ft, 12.5 m	Rated: 46 ft, 14 m Max: 59 ft, 18 m
FLOW	Rated: 53 gpm, 3.3 L/s Max: 87 gpm, 5.5 L/s	Rated: 53 gpm, 3.3 L/s Max: 122 gpm, 7.7 L/s



X-VOX 208	415
X-VOX 215	445

unit : mm
C.W.L : Continuous running water level
L.W.L : Lowest running water level

Pump Type	Electric Submersible Pumps	
Motor	Phase	1-Phase, 3-Phase
	Type	Induction Motor
	Poles	2 Pole (3450 rpm)
	Insulation	Class F
	Protector	Circle Thermal Protector
	Starter	1-Phase Capacitor-Run, 3-Phase D.O.L.
Lubricant	Food Grade (ISO VG32)	
Specs.	Impeller Type	Vortex
	Shaft Seal	Double Mechanical Seal
		Silicon Carbide VS Ceramic/Carbon
	Bearings	C3 Shielded ball bearings
	Cable	CSA-Certified PVC Jacketed Cables
33 ft (10 m) or longer upon request		
Materials	Pump Casing	Stainless Steel
	Impeller	Stainless Steel
	Motor Frame	Stainless Steel
	Motor Shaft	Stainless Steel
Max. Liquid Temperature	40°C (104°F)	
Max. Submersion Depth	20 m (66 ft)	
pH Range	pH 5 - pH 8	